

new

maximatecc

Premium Compattino 2.0 3 - Gauge Instrument Cluster CAN / SAE J1939

The new **Premium Compattino** instrument cluster combines electronic gauges and a 2.7" display to show multiple engine parameters and system messages within a compact form factor. Backlit buttons simplify GUI navigation and customization.



Features:

- Gauges: 3x stepper motor driven electronic gauges, easily customizable
- Display: 2.7", 128 X 64 yellow PM-OLED display with negative image for CAN data or Analog input
- Operating Temperature: -30°C to 85°C
- 18x LED indicators with deadfront black customizable overlay
- 4x backlit menu navigation buttons
- Boot loader software for customization
- Sealing IP67 (Front), IP65 (Rear)
- Can Protocol: SAE J1939, 250 kbps/500kbps (Auto)

DISPLAY

TYPE	2.7" PM-OLED, 128 x 64 Yellow on Black graphics/text
INDICATORS	18 LED status indicators Lighted Pointers
ILLUMINATION	LED Backlightings

INPUTS / OUTPUTS

GAUGES	3 X Resistive or voltage output senders or CAN data
TACHOMETER INDICATORS	Input via MPU, Alternator, or CAN All indicators are configurable based on digital/analog input or CAN data
BACK LIGHTING SWITCHED OUTPUTS	Controlled from digital input or CAN data 2 low side switched outputs

POWER

VOLTAGE	12V nominal
ELECTRICAL PROTECTION	Reverse polarity, transients including load-dump, over-voltage and ESD
CURRENT	Standby current draw <7 mA

ENVIRONMENT

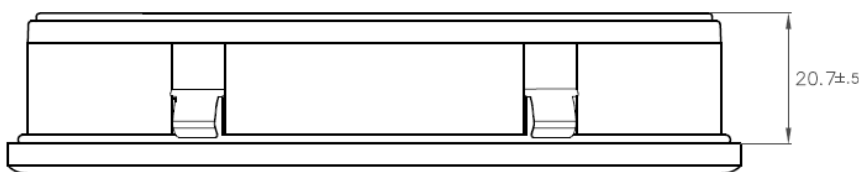
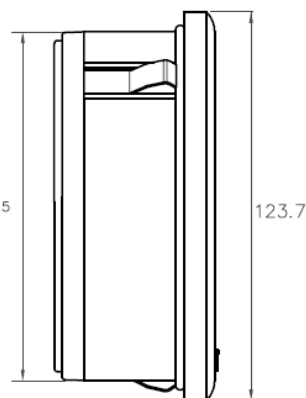
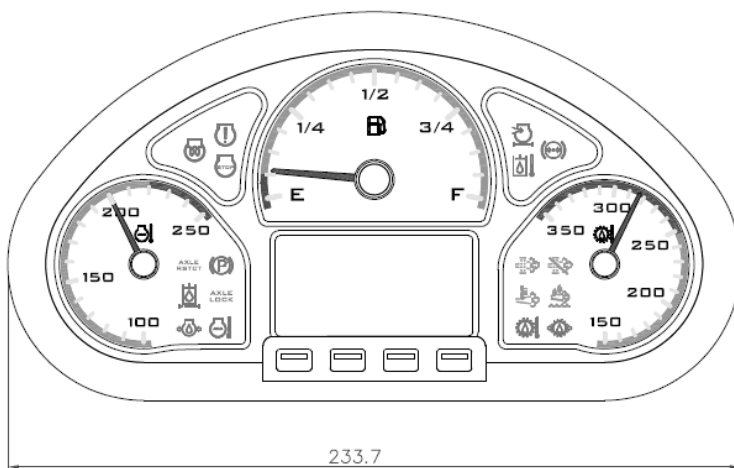
IP CLASS	Front IP67, Rear moisture-/dust-resistant
TEMPERATURE RANGE (°C)	-30°C to +85°C (operating) -40°C to +85°C (storage) ISO 13766 (radiated emissions) SAE J1113-21
EMC CONFORMITY	(radiated immunity)
SAE COMPLIANT	Vibration, UV, salt spray

ENCLOSURE

HOUSING	UV-resistant PC/ABS
MOUNTING	Panel installation

PIN ASSIGNMENTS

PIN #	TYPE	STATE
1	DIGITAL INPUT	ACTIVE LOW
2	DIGITAL INPUT	ACTIVE LOW
3	DIGITAL INPUT	ACTIVE LOW
4	DIGITAL INPUT	
5	DIGITAL INPUT	ACTIVE LOW
6	DIGITAL INPUT	
7	DIGITAL INPUT	
8	DIGITAL INPUT	ACTIVE LOW
9	DIGITAL INPUT	ACTIVE LOW
10	DIGITAL INPUT	ACTIVE LOW
11	POWER	
12	DIGITAL/ OUTPUT	LOW SIDE (SINK)
13	POWER	
14	OUTPUT	LOW SIDE (SINK)
15	DIGITAL / J1939	CAN LOW
16	DIGITAL / J1939	CAN HIGH
17	FREQUENCY INPUT	
18	ANALOG INPUT	VOLTAGE
19	ANALOG INPUT	RESISTANCE
20	ANALOG INPUT	RESISTANCE
21	ANALOG / DIGITAL INPUT	RESISTANCE
22	ANALOG / DIGITAL INPUT	
23	DIGITAL / FREQUENCY INPUT	
24	DIGITAL INPUT	
25	POWER	+ BATTERY
26	DIGITAL INPUT	



Premium Compatino 2.0 3-Gauge Instrument Cluster, CAN / SAE J1939

Maximatecc / AST
Progres 32, 08191 Rubi,
Barcelona, SPAIN

Tel.: +34 93 586 20 73

customerservice@ast.es